

**HAWK ENTERPRISES OF ELKHART, INC**



# **29 & 55 Gallon Wet / Dry Vacuums**

**Operation • Care • Service**



Hawk Enterprises  
52744 Park Six Court  
Elkhart, IN 46514

Phone: 574-294-1910  
Toll Free: 888-289-4295

Fax: 574-970-0289  
Toll Free 866-429-5329



**ASSEMBLED IN USA**

**Commercial Use Only**

# TABLE OF CONTENTS

---

Machine Specifications .....	1
Service Information .....	2
Important Safety Instructions.....	2
Grounding Instructions .....	3
Operations / Accessories .....	3
Brush And Drive Block Installation.....	4
Adjustments.....	4
Controls.....	5
Guidlines For Operation .....	5
Cord Storage .....	5
Clean Up And Storage .....	5
Floor Machine Assemblies.....	6
Floor Machine Parts List.....	7-8
Optional Accessories.....	9
Features .....	9
Limited Warranty .....	Back Cover

---

# IMPORTANT SAFETY INSTRUCTIONS

When using an electrical appliance, basic precautions should always be followed including the following:

**READ ALL INSTRUCTIONS BEFORE USING THIS APPLIANCE**



## **WARNING**

### **To reduce the risk of fire, electric shock, or injury:**

- **Do not leave appliance when plugged in. Unplug from outlet when not in use and before servicing.**
- **To avoid electric shock, use indoors only.**
- **Do not allow to be used as a toy. Close attention is necessary when used by or near children.**
- **Use only as described in this manual. Use only manufacture's recommended attachments.**
- **Do not use with damaged cord or plug. If appliance is not working as it should, has been dropped, damaged, left outside, or dropped into water, return it to a service center.**
- **Do not pull or carry by cord, use cord as a handle, close a door on cord, or pull around sharp edges or corners. Do not run appliance over cord. Keep cord away from heated surfaces.**
- **Do not unplug by pulling on the cord. To unplug, grasp the plug, not the cord.**
- **Do not handle plug or appliance with wet hands.**
- **Do not put any object into opening. Do not use with any opening blocked; keep free of dust, lint, hair, and anything that may reduce air flow.**
- **Keep hair, loose clothing, fingers and all other body parts, away from opening and moving parts.**
- **Do not pick anything up that is burning or smoking, such as cigarettes, matches or hot ash.**
- **Do not use with filter(s) in place.**
- **Turn off all controls before unplugging.**
- **Use extra care on stairs.**
- **Do not pick up flammable or combustible liquids such as gasoline or use in areas where they may be present.**
- **For a grounded appliance, "Connect to a properly grounded outlet only. See grounding instructions."**

## SERVICE INFORMATION

To obtain consistent performance over the life of your equipment, read through these instructions and save them for future reference. If you require service, contact the dealer from which the machine was purchased or an authorized service station. Always refer to your Limited Warranty for complete service information.

SERIAL NO.		MODEL
VOLTS	PHASE	HZ
MOTOR	AMPS	H.P.

The model, type, and serial number are indicated on the data plate on the side of the handle. For prompt and complete service, refer to these numbers when inquiring about service.

Write the model and serial number of your unit in the space provided. Refer to the data plate on unit.	
SERIAL #	MODEL #
Retain this owners manual for future reference.	

### General Information

**BEFORE YOU PLUG IN YOU TANK VACUUM,** check the voltage on the data plate located on the vacuum near the power switch, to make sure it agrees within 10% of the voltage available (see data plate). Connect only to a grounded (3 wire) electrical outlet. **DO NOT OIL.** The motor in your vacuum is permanently lubricated and sealed. Do no oil any part of the motor at anytime.

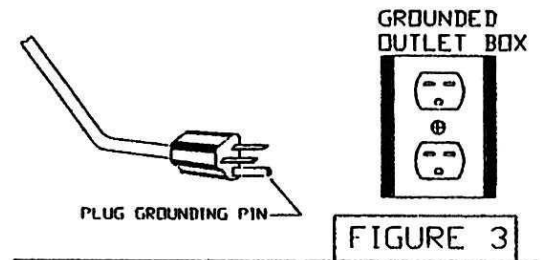
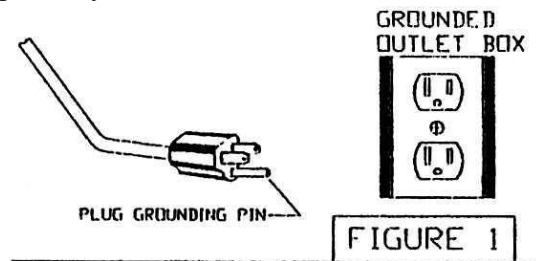
### GROUNDING INSTRUCTIONS

This appliance must be grounded. If it should malfunction or break down, grounding provides a path of least resistance for electric current to reduce the risk of electric shock. This appliance is equipped with a cord that has an equipment-grounding conductor and grounding plug. The plug must be plugged into an appropriate outlet that is properly installed and grounded in accordance with all local codes and ordinances.

### **WARNING**

Improper connection of an equipment grounding conductor can result in risk of electric shock. Check with a qualified electrician or service person if you are in doubt as to whether the outlet is properly grounded. Do not modify the plug provided with the appliance.

If it will not fit the outlet, have a proper outlet installed by a qualified electrician. This appliance is for use on a nominal 120 volt circuit and has a grounding plug that looks like the plug illustrated in Figure 1. A temporary adapter which looks like the adapter illustrated in Figure 2 may be used to connect this plug to a two pole receptacle, as shown, if a properly grounded outlet is not available. The temporary adapter should be used only until a properly grounded outlet (Figure 1) can be installed by a qualified electrician. The green colored rigid ear, lug, or the like extending from the adapter must be connected to a permanent ground such as a properly grounded outlet box cover. Whenever the adapter is used, it must be held in place by metal screw.



If this appliance is for use on a nominal 240 volt circuit, it has a grounded plug that looks like the plug illustrated in Figure 3. No adapter should be used with this type of plug.

Make sure that the appliance is connected to an outlet having the same configuration as the plug

## How To Use Your Vacuum

### TO CONNECT HOSE TO TANK

Grasp hose cuff and push with a twisting action until the cuff is securely attached to the barbed inlet tank fitting. Should great difficulty occur, place the cuff in hot water briefly to soften and thereby will slide in easier.

### ON / OFF SWITCH

The ON / OFF switch is conveniently located on the back of the motor cover. Flip toggle switch up to turn "ON" or down to turn "OFF"

### CORD STORAGE

When not in use, loosely wind power cord around the push handle and secure with clip molded into plug.

### FILTERING SYSTEM

Your vacuum contains a highly effective filtering system. One system is designed for both wet and dry use and the second system is for dry use only. The removable dry filter assembly consists of a cloth bag sewed to a plastic ring located on the bottom of the motor cover assembly. The permanently installed wet filter assembly consists of a black synthetic mesh covering the wet shut-off system located underneath the motor cover assembly. The wet filter should never be removed and should remain in place for wet and dry pickup.

### DRY USE

The dry filter assembly must be installed before picking up dry material. **NEVER** operate this vacuum for dry use, without the dry filter assembly in place. Damage to the motor will occur.

### WET USE

Your vacuum is equipped with a permanently installed wet shut-off system that operates automatically when the tank becomes full of liquid, foam, or suds. The system consists of a metal frame and a float. When the level of the liquid or suds, rise in the tank, the float moves upward until it reaches the seal ring and shuts off all suction. You will know when the wet shut-off is engaged because you will be unable to pick up anything with the vacuum and the sound of the motor will change.

When the shut-off becomes engaged, you should immediately turn off the vacuum, disconnect power cord

from the electrical outlet and empty the tank. The vacuum will not operate again until the tank has been emptied.

After the tank has been emptied, the wet shut-off will automatically disengage and the vacuum will be ready for normal use.

NOTE: The wet shut-off assembly is permanently installed and should NEVER be removed.

When using the vacuum for wet pick-up, the dry filter bag must first be removed. Using the vacuum for wet pick-up with the dry filter assembly in place will ruin the filter.

### FILTER BAG AND RECOVERY TANK MAINTENANCE

The filters in your vacuum are vital to its efficient, safe operation. They provide a high rate of air flow while trapping dirt particles and / or suds. If suds or dirt residue are allowed to build up on these filters, the air flow of your vacuum will be reduced. To maintain a high level of efficiency, it is essential that the filters be cleaned frequently.

**NOTE: DISCONNECT THE POWER CORD FROM THE ELECTRICAL OUTLET BEFORE CLEANING THE FILTER ASSEMBLIES OR RECOVERY TANK.**

### TO EMPTY THE RECOVERY TANK

Your vacuum comes with a dump hose assembly located on the back of the recovery tank. The dump hose has a twist off cap to open and close for easy draining.

To dump the solution in the recovery tank, move the machine to a floor drain or some other suitable facility. Remove the cap and dump solution, lowering the hose slowly to minimize flooding. Replace cap and hose in storage position on vacuum after draining.

### CLEANING THE DRY FILTER ASSEMBLY

To clean the dry filter assembly, remove the motor cover assembly by lifting it straight up and off. Remove the dry filter assembly by lifting it straight up being careful not to dislodge debris on the filter. The flannel bag filter assembly may be cleaned by shaking it vigorously or by gently brushing it clean.

**NOTE: DO NOT WASH THIS FILTER**

### **CLEANING THE WET FILTER ASSEMBLY**

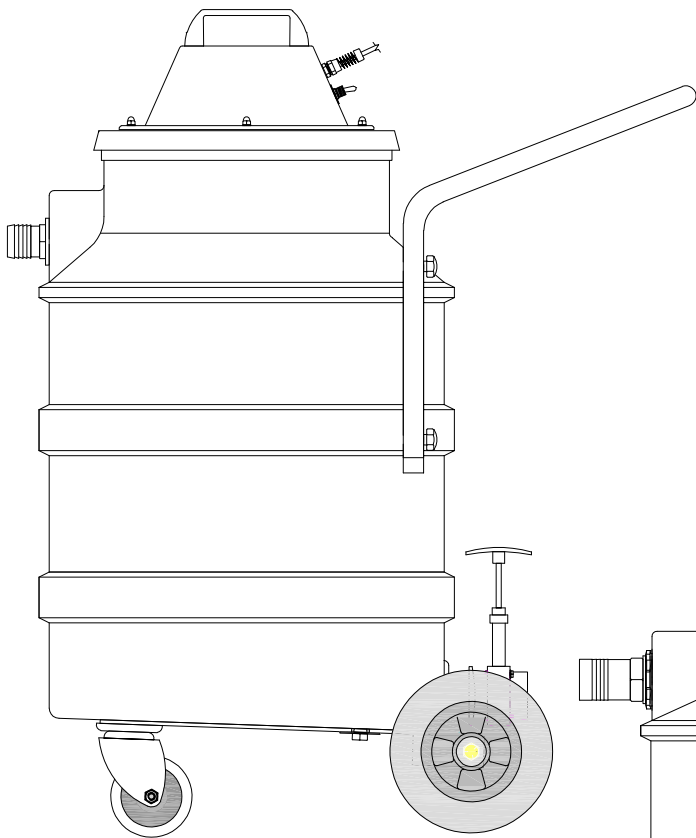
***NOTE: DISCONNECT POWER CORD FROM ELECTRICAL OUTLET WHEN PERFORMING THIS TASK.***

The wet shut-off system is located underneath the motor cover assembly and is covered by a black synthetic mesh filter which is designed to prevent large debris from reaching the float assembly.

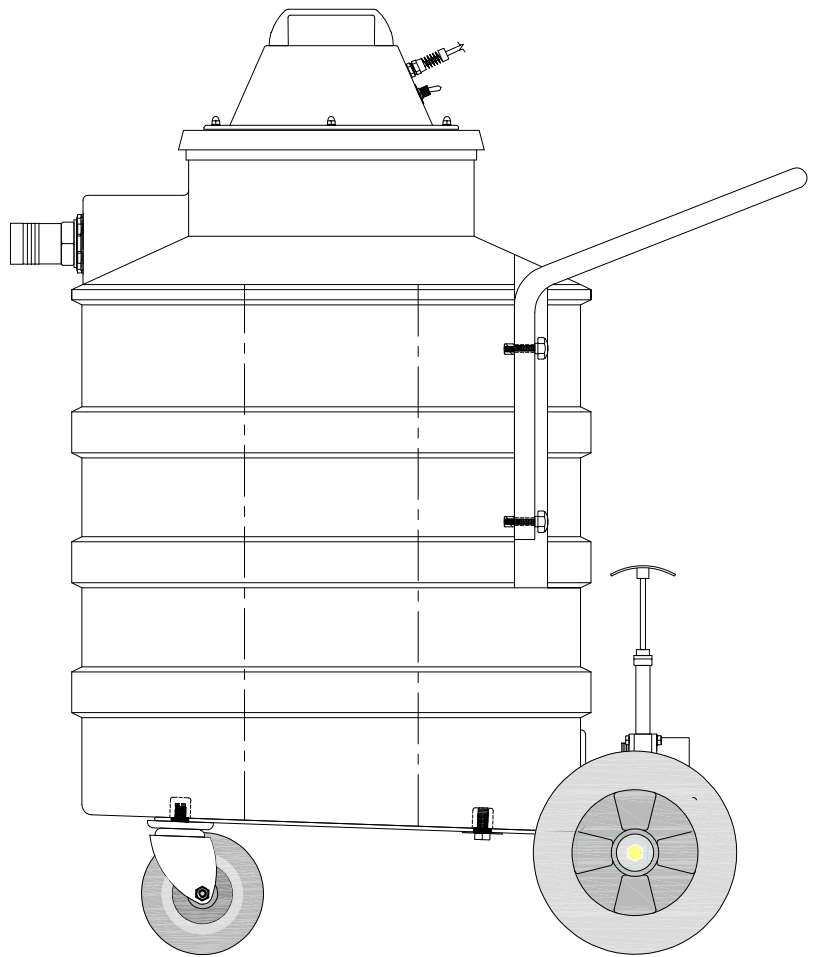
The mesh filter is attached and should not be removed. The filter should be gently brushed or wiped clean occasionally. Always avoid getting moisture into the motor area, either inside or outside the motor cover area.

### **TO CLEAN RECOVERY TANK**

Remove all dirt from the recovery tank after each use. The tank may be flushed with cold or warm water and / or wiped clean with a damp cloth. Be sure to thoroughly dry the recovery tank after cleaning. This helps prevent corrosion or mildew build-up. Vacuum should be stored in a clean, dry place when not in use.

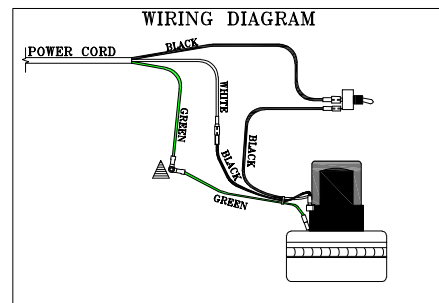
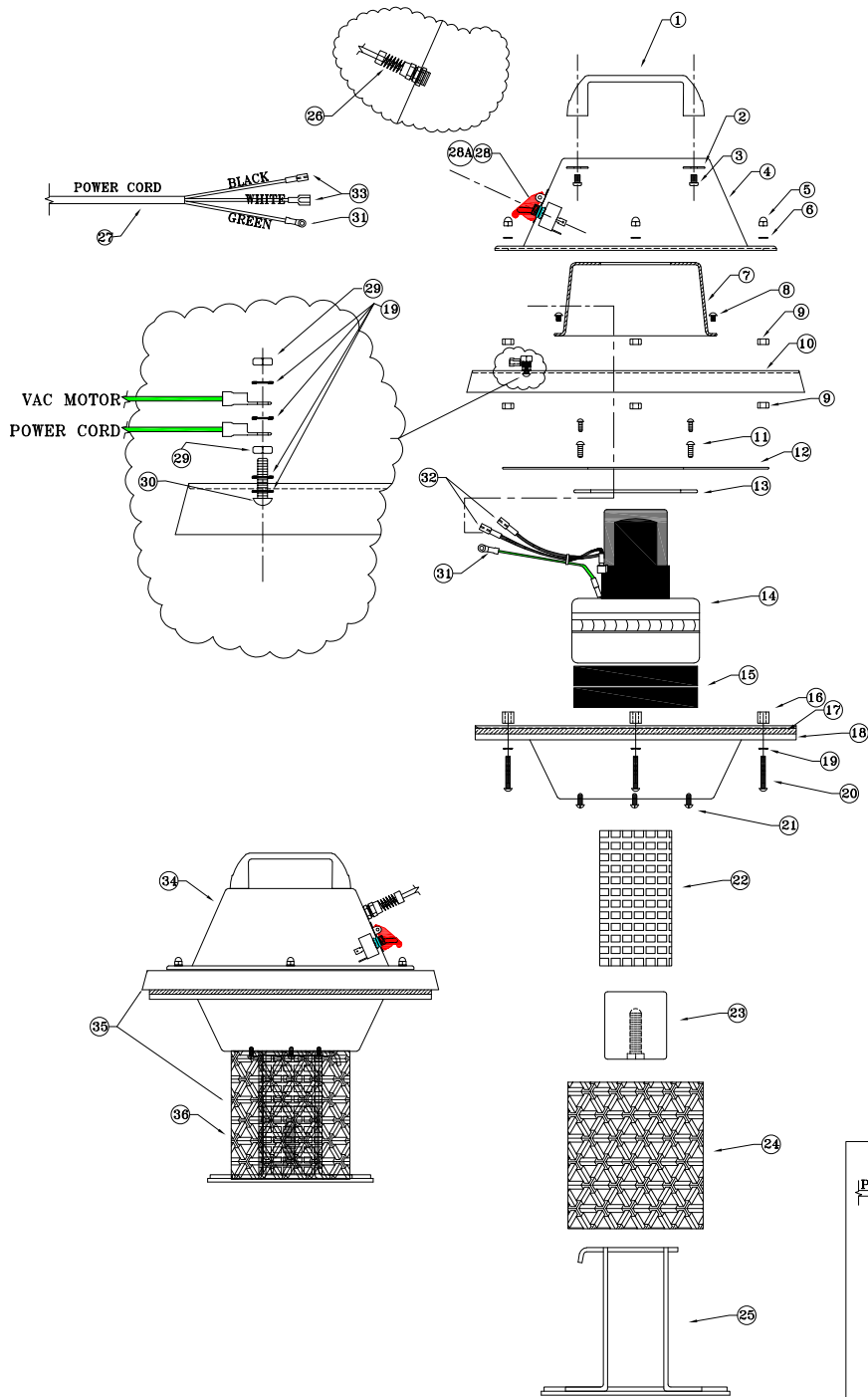


29 GALLON



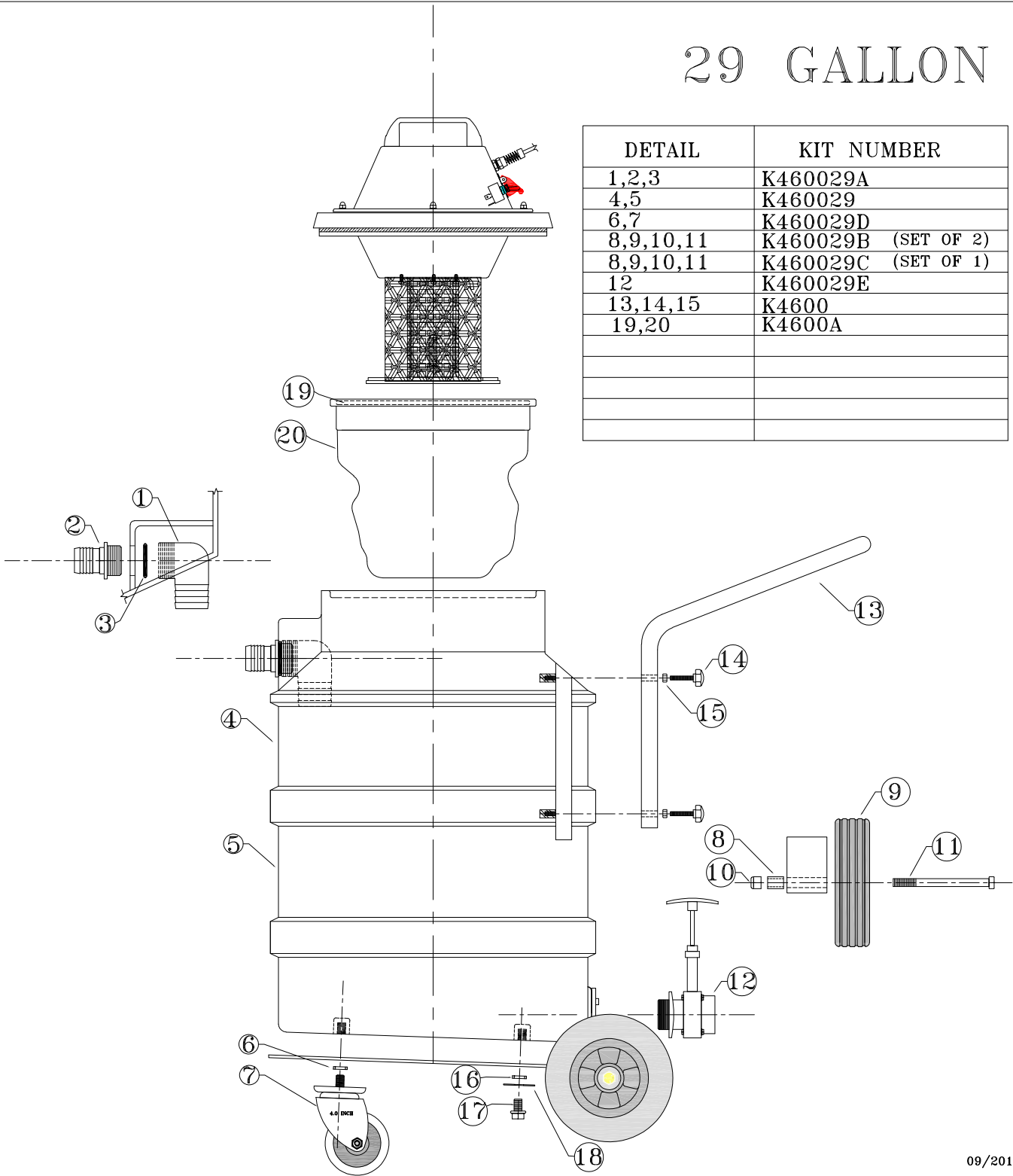
55 GALLON

KIT NUMBER	DETAIL
K4500	34
K4500A	35,21
K4500B	36
K4500C	1,2,3,4,5,6, 28,28A
K4500D	1,2,3,4,5,6,19,26, 27,28,28A,29,30, 33
K4500E	28,28A
K4500F	19,26,27,29, 30,33
K4500G	7,8
K4500H	13,14,15,31,32
K4500J	17
K4500K	24
K4500L	25



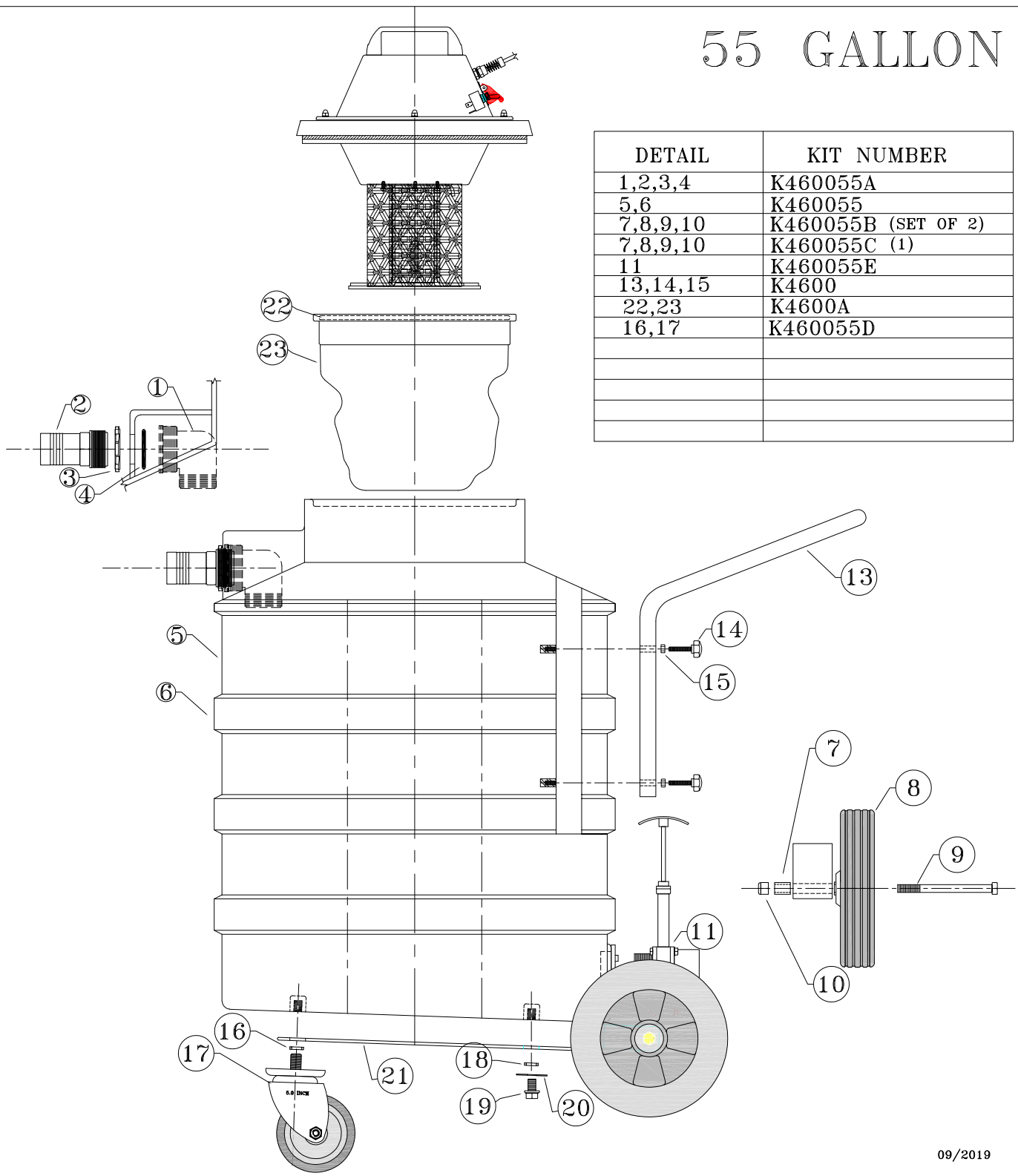
# 29 GALLON

DETAIL	KIT NUMBER
1,2,3	K460029A
4,5	K460029
6,7	K460029D
8,9,10,11	K460029B (SET OF 2)
8,9,10,11	K460029C (SET OF 1)
12	K460029E
13,14,15	K4600
19,20	K4600A



# 55 GALLON

DETAIL	KIT NUMBER
1,2,3,4	K460055A
5,6	K460055
7,8,9,10	K460055B (SET OF 2)
7,8,9,10	K460055C (1)
11	K460055E
13,14,15	K4600
22,23	K4600A
16,17	K460055D



## **LIMITED WARRANTY**

Your HAWK equipment which has been manufactured, tested and inspected in accordance with carefully specified engineering requirements, is warranted to be free from defects in material and workmanship. This Limited Warranty is, however, subject to the Following qualifications, conditions and limitations which are set forth to provide you and all users of the HAWK equipment with information concerning the duration, extent, availability, and applicability of this HAWK Limited Warranty, the procedure to be taken to obtain its performance, and other information concerning the **HAWK Limited Warranty policy**.

The HAWK ENTERPRISES Limited Warranty is extended to the original end user as follows:

Machines: 1 year parts replacement and 1 year service labor warranty.

Replacement parts guaranteed for 90 days from date of installation against defects in material and workmanship.

This Limited Warranty will not cover damage attributable to the following:

- (1) Improper, unreasonable or negligent use or abuse of the equipment
- (2) Abrasions or punctures of the equipment.

The start date of the Limited Warranty coverage shall be the purchase date of the original end user or six months from the date the machine was shipped from the Factory, whichever comes first.

## **PARTS OF EQUIPMENT NOT COVERED BY THE LIMITED WARRANTY**

Certain parts of equipment require replacement in the ordinary use due to normal wear by reason of their characteristics. Normal wear items such as cords, switches, bumpers, bearings, etc. are excluded from the Limited Warranty.

## **EXCEPTIONS AND EXCLUSIONS FROM THE LIMITED WARRANTY**

This equipment is required to be used on electric current as indicated on the data plate. Otherwise damage, defects, malfunctions or other failure of the equipment arising from use on electric current not as indicated are excepted and excluded from this Limited Warranty. Defects, malfunctions, failure or damage of the equipment caused by improper, unreasonable or neglect use or abuse while in possession of the purchaser are likewise excluded from this warranty. If repair is done on your equipment by anyone other than those designated as authorized to perform such work without first having obtained factory instructions, HAWK ENTERPRISES at its sole option, may determine that this warranty will not apply and that reimbursement for such repair will not be made because of the failure to comply with such factory specified instructions.

## **PROCEDURE TO BE TAKEN TO OBTAIN PERFORMANCE OF LIMITED WARRANTY REPAIR**

To secure repair of the equipment or any warranted parts under this Limited Warranty, the following procedure should be taken. The inoperative equipment or warranted parts, together with satisfactory evidence of the purchase date, must be delivered, with shipping and delivery charges prepaid, to one of the following:

- (1) The dealer from whom purchased;
- (2) Any HAWK distributor's service department in the United States;
- (3) Any HAWK authorized service station in the United States.

If you are unable to locate any of the foregoing, you may write or otherwise communicate with HAWK ENTERPRISES before repair service is performed by anyone else. In such event, HAWK ENTERPRISES will provide either the location or a closely available HAWK distributor service department, or HAWK authorized service station or other factory instructions. Upon compliance with the above procedure, all warranted defects will be repaired, at no additional charge or costs to the customer, and the repaired product returned to the customer, with all shipping and delivery charges pre-paid. In following the procedures set forth, PLEASE MAKE CERTAIN to state the model, type and serial number as shown on the data plate of the equipment.

## **REPLACEMENT**

In the event of a defect, malfunction or failure of your HAWK equipment or any warranted part to conform with this warranty, HAWK may, at its sole option and own expense, replace the equipment or any warranted part with another new, identical or reasonably equivalent model or part in lieu of repairing the defect.

## **NO REFUND OF PURCHASE PRICE**

HAWK will not, as a matter of its Limited Warranty policy, refund the customer's purchase price.

## **LIMITED WARRANTY REGISTRATION CARD FOR YOUR EQUIPMENT AND REQUEST FOR INFORMATION**

Your HAWK distributor from whom you purchased your equipment is responsible for the registration of your Limited Warranty with the factory. Any information or questions you may have concerning your HAWK ENTERPRISES equipment or this Limited Warranty may likewise be secured from the factory. This Limited Warranty will give you specific legal rights, and you may also have other rights which vary from state to state.